

SWIFTTRACK

Automatic Swing Gate Barrier



The swing gate is developed for high-end users, with safe and efficient, intelligent use, high-quality, sturdy and durable. SSTT 111 collects industry experience and wisdom of all employees in one for many years, providing users with a complete product solution and quickly create high-quality channel products. We adhere to the customer as the centre, providing users with high-quality products. SSTT 111 is designed to enhance security and optimize manpower at your entrance points.

These systems will provide you with efficient and elegant control of individual access to your premises. They are straightforward to install, easy to understand as simple to maintain. The products can be widely applied to the following usages, such as industrial enterprises, Living gardens, building offices, shops, museums, security installations, prisons, nuclear power plants, airports, railways, seaports, exhibition centres, ski resorts, fitness, and other fields.

- Safety first** : In the fire or power-off, the door can be free to promote and ensure unimpeded.
- Various Interfaces** : I/O, RS232/485, CAN interfaces, which is convenient to control signal input and provides a convenient centralized fire control interface.
- Two working modes** : NC and NO, which is easy to deal with peak and normal use.
- Multiple control modes** : There are unidirectional, bidirectional, free passage and authorization passage to meet fully the user's needs, which consist of nine control modes.
- Precise positioning** : Precise positioning by photoelectric sensors, the work cycle of door is regular and precise positioning to ensure the correct position after long work.
- Various status information** : Provides the operational status of each component, the direction of the status, the prevalent status, abnormal status, etc.

Indicator control : The indicator is able to show three status of front and back indicator (allow through, no through, system maintenance).It also shows the passage direction and passage status (A to pass, B to pass, no through), according to reasonable indicator control, which is convenient for users to manage.

Machine core control : The two sides' machine core work with coordination and synchronization, and the control system provide convenient management functions. the passage controller can control the machine core of all functions and settings of all parameters, which is reasonable for consisting of the various components of the machine core operation flow, and which is more intelligent and safe to design an access control function.

Sensor Analysis : The sensor has a signal for real-time processing and analyzing a person or object for a variety of actions, which according to the results of the analysis accurately control the action of machine core, indicator, and alarm, etc.

Sound output : Whether it is a normal or an emergency situation, the sound output can remind passengers and administrators in a timely and friendly manner, which cooperates with light and makes the perfect effects.

Convenient settings : With the screen and buttons of the human-machine interface, the users can quickly and easily query and set channel parameters, no longer totally dependent on the host computer or extremely unfriendly pure key board to query and set parameters. These are not necessary functions, but once experience we believe that no one will forget it.

Automatic Test : In the man-machine interface, the system provides automatic test function, which can be a good test whether the components can work properly or not.

Ordering Information

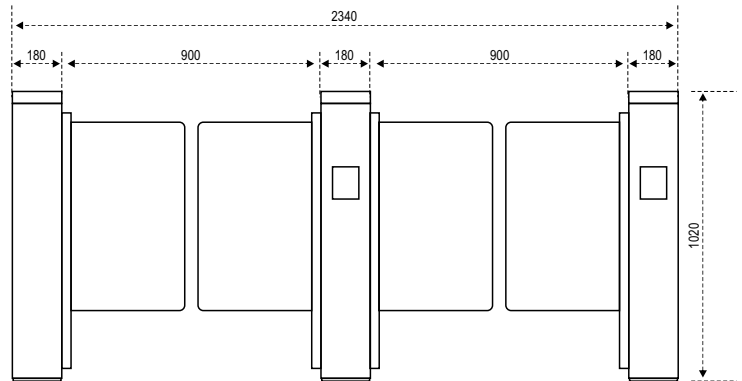
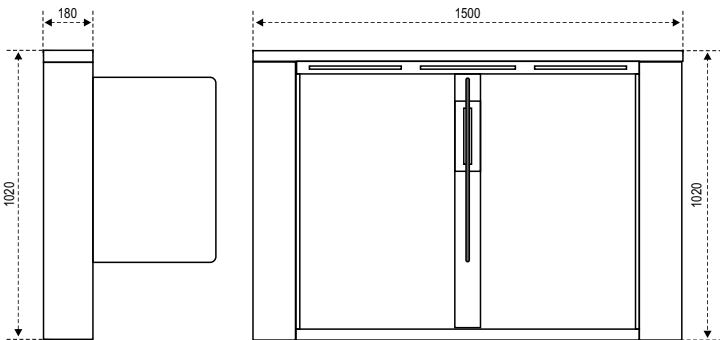
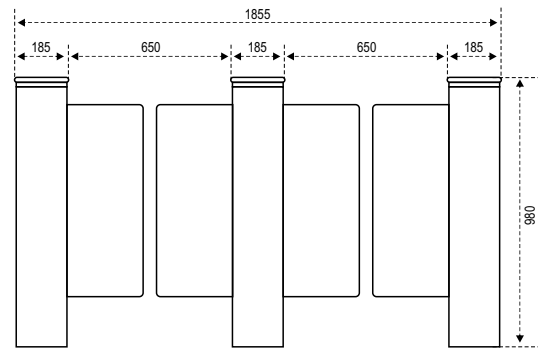
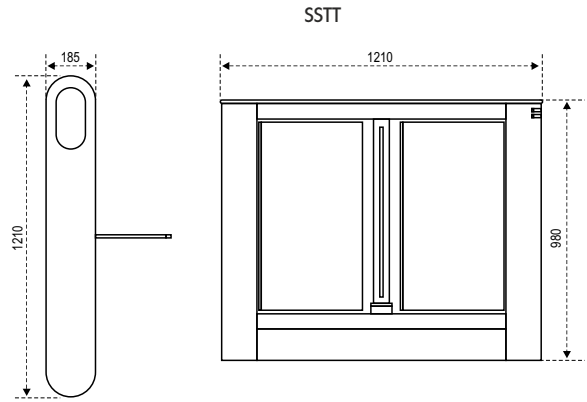
SST

1. Size	1210x185x980mm
2. Unlock time	0.2s
3. Pass Rate	35 persons / minute
4. Pass width	≤600mm
5. Input	100V~240V
6. Motor voltage	24v
7. Environment	-25~ +70
8. Power consumption	35w
9. Ingress Protection	IP65

Wide lane

1. Size	1500x180x1020mm
2. Unlock time	0.2s
3. Pass Rate	35 persons / minute
4. Pass width	≤900mm
5. Input	100V~240V
6. Motor voltage	24v
7. Environment	-25~ +70
8. Power consumption	35w
9. Ingress Protection	IP65

* Led display to be ordered separately



+91 80 43336666

sales@solus.co.in

www.solus.co.in

SOLUSTM

Solus Security Systems Pvt. Ltd.

Mumbai
202, Shivam Chambers, Next to Sahara
S. V. Road, Goregaon (W) Mumbai 400104

Bangalore
5, 3rd Floor, Uttarahalli Main Road
Subramanyapura Post, Bangalore - 560 061 India.