

SWIFTTRACK

Full Height Turnstiles



Designed for use in indoor and outdoor applications where high security and high pedestrian traffic are a priority. Solus Swift track Full Height Turnstiles are ideal for providing security against unauthorized entry at unattended access points where only authorized employee access is required. They provide a true barrier to restrict travel in controlled or restricted areas. These units will control the high throughput traffic flow of up to 25 people per minute per turnstile. Solus Swift track full height turnstile are available in Single & Double lane with Three or Four wing options, all the models manufactured in mild steel (Powder Coated), Stainless Steel hairline finish & Hybrid Options. This controls the movement in both directions, with the option of single direction control with the reverse direction locked or free upon request to exit. The double lane option interlocks the rotors in the central dead area to save space & cost still both the lanes work independently. Smart action lock prevents two passes at a time and prevents reverse rotation once the head has 0 moved 20 from rest. Fail-Safe or Secure Options are selectable.

Solus Swift track full height turnstiles are integrated with popular Solus SACS Access Control System and also compatible with other Third Party Access control & Time attendance Systems. Optional Light Indicator helps users to understand Status. Turnstiles are delivered in kit format for easy logistics and on-site assembly. Hot Dip Galvanizing Process is offered as an option when used in exposed conditions. Remote Switch operation is also available as an option.

Features

- Mild Steel, Stainless Steel & Hybrid Options.
- 3 Wing (120°) or 4 Wing (90°) Options.
- Person entering can control Speed.
- Low Power Consumption.
- Selectable Fail Safe or Secure.
- Indoor & Outdoor Usage - IP 54 Protection.
- Both way movement.

Applications

- Industrial Plants.
- Company Premises.
- Airport and Port Areas.
- Power Plants.
- Prisons / Correctional facilities.
- Military & Defense Installations.
- Educational facilities.

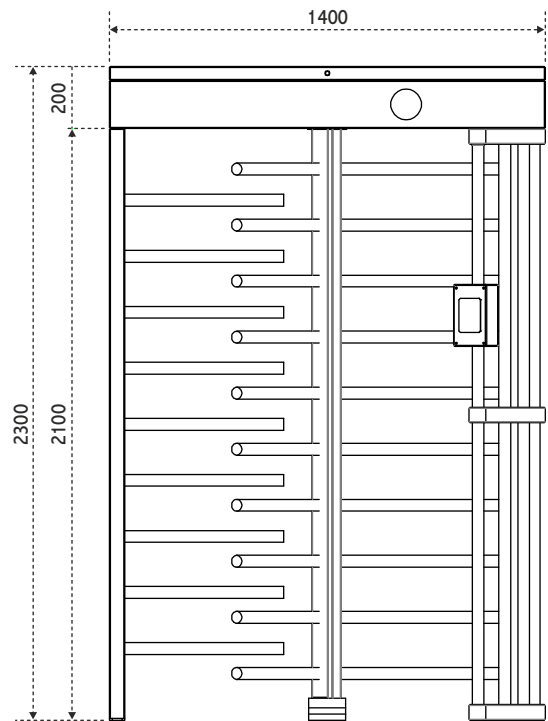
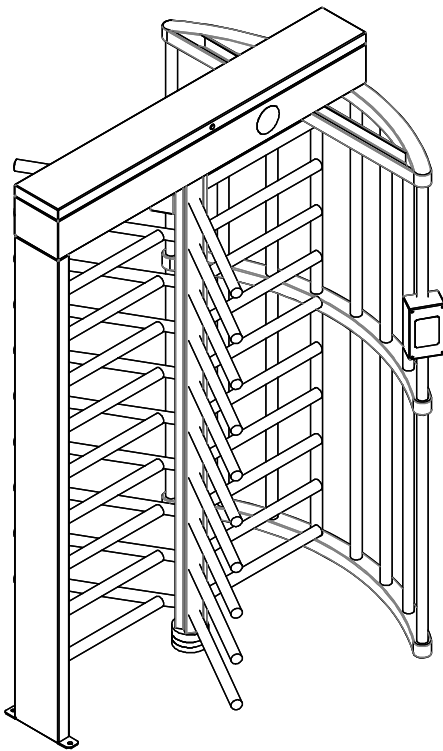
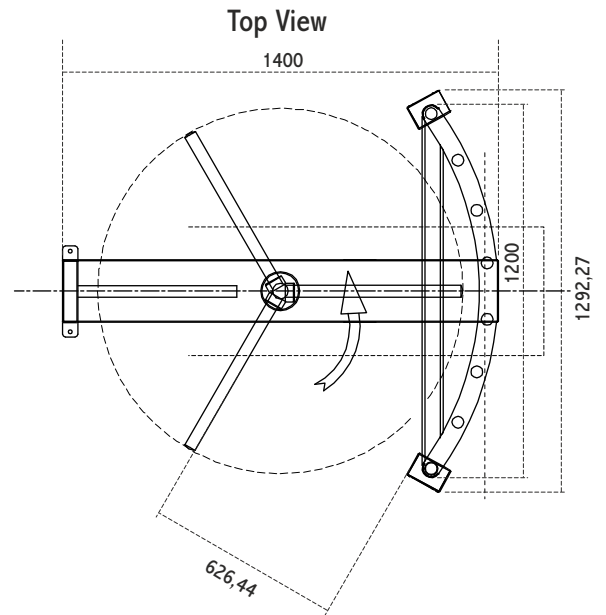


Ordering Information

Base Model	Lane	Wing	Material
SSTF	1- Single	3 - 3 Wing	SS - Stainless Steel
	2- Double	4 - 4 Wing	MS - Mild Steel (PC)
			HY - Hybrid
			(Wings - SS, Body & Column MS)

Technical Specifications

Model	SSTF 13	SSTF 14	SSTF 23	SSTF 24
Width in mm	1500	1500	2220	2220
Number of wings	3 (120°)	4 (90°)	3 (120°)	4 (90°)
Power Consumption	50 Watts	50 Watts	100 Watts	100 Watts
Nominal Weight	250 KG	400 Kgs	380 Kgs	610 Kgs
Operational Temperature	5° to +55°			
Voltage	115 or 240 V and 50Hz			
Humidity	0-95%			



Front View

+91 80 43336666

sales@solus.co.in

www.solus.co.in

SOLUSTM

Solus Security Systems Pvt. Ltd.

Mumbai
202, Shivam Chambers, Next to Sahara
S. V. Road, Goregaon (W) Mumbai 400104

Bangalore
5, 3rd Floor, Uttarahalli Main Road
Subramanyapura Post, Bangalore - 560 061 India.